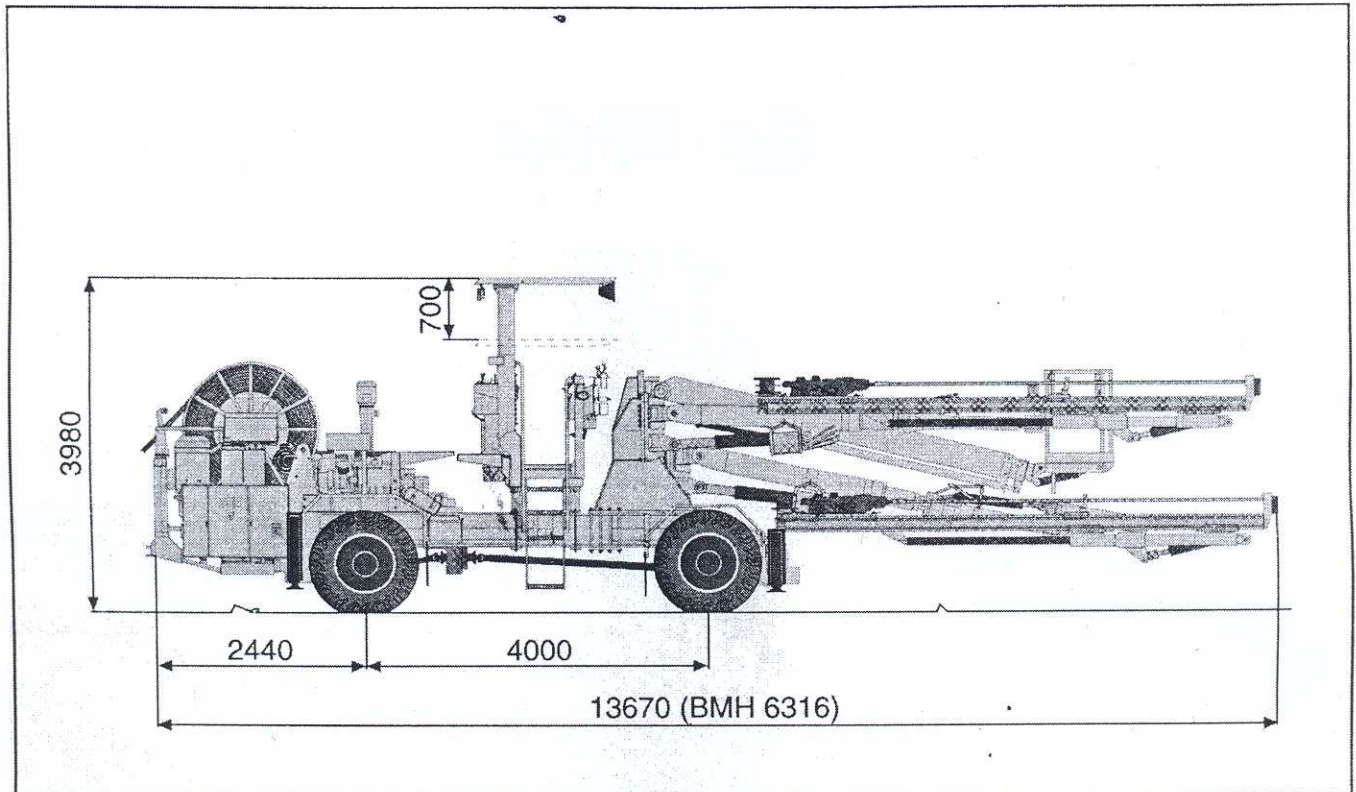
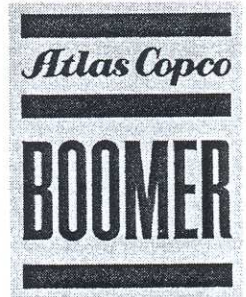


Technical Specification

Boomer 353-1238

Hydraulic drill rig with three BUT 35 booms for cross sections up to 100 m².



Boomer 353, the protective roof can be lowered during transportation. All dimensions in mm.

Main features

- COP 1238 rock drill with new reflex dampener gives genuine high speed drilling and excellent drill steel economy. New lubrication system with separate lubrication of driver, gear, pressurized sidebolts and mating surfaces gives reliable operation, low maintenance cost and long time between overhauls.
- Compact transport width of 2.5 m only.
- BMH 6300 heavy duty aluminium hydraulic feeds with double bottom for high torsional resistance. Snap-on stainless steel sleeves and polymer contact pads for long life and low maintenance costs.
- BUT 35 heavy duty booms with direct, accurate and parallel movement for fast positioning.
- DCS 12-3-45 power pack which incorporates anti jamming function RPCF (Rotation Pressure Controlled Feed force). Separate pumps for impact/feed and rotation for independent control and maximum output.

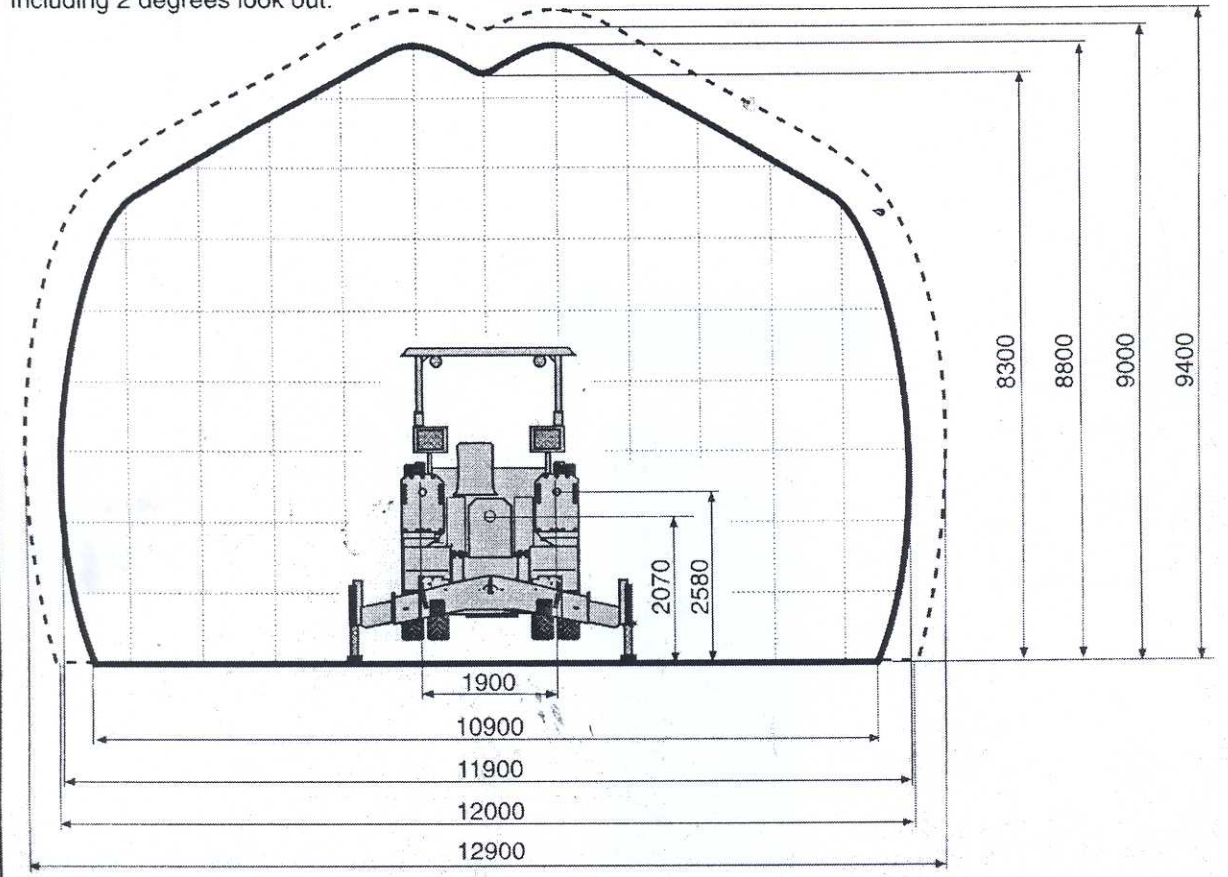
- DC 141 sturdy carrier for high mobility and stable set up. The four wheel drive carrier is specially designed for underground mining and tunnelling operations.
- Basic rig includes telescopic protective roof, water booster pump, cable reel and working lights.

Main components

Rock drill	3 x COP 1238ME
Feed	3 x BMH 6300-series
Boom	3 x BUT 35
Power pack	DCS 12-3-45
Carrier	DC 141

Boomer 353-1238

Coverage area
Including 2 degrees look out.



--- = with 700 mm fixed segment extension.

Scale 1:100



9851 1856 01 b

The manufacturer reserves the right to
make modifications without prior notice.

Rock drill COP 1238ME

Drill steel	R 38 or T 38
Height over drill centre	86 mm
Impact power	15 kW
Impact rate	40-60 Hz
Hydraulic pressure, max.	250 bar
Lub. air consump. (at 3 bar)	5 l/s
Water requirement	0.8 l/s
Rotation system	separate rotation
Rotation speed	0-300 rpm
Rotation torque, max.	500 Nm
Weight	151 kg

Feeds

	BMH 6314	BMH 6316	BMH 6318	BMH 6320
Total length (mm)	5880	6490	7100	7710
Drill steel length (mm)	4305	4915	5525	6135
Hole depth (mm)	4030	4640	5250	5860
Weight, incl. rock drill (kg)	600	640	670	700
Feed force (kN)	20.0	20.0	20.0	20.0

Boom BUT 35

Feed extension	1800 mm
Boom extension	1600 mm
Parallel holding	Complete
Feed roll-over	360 degrees
Max. lifting angle	+70 degrees
	-30 degrees
Max. swinging angle	±45 degrees
Weight, boom only	2700 kg

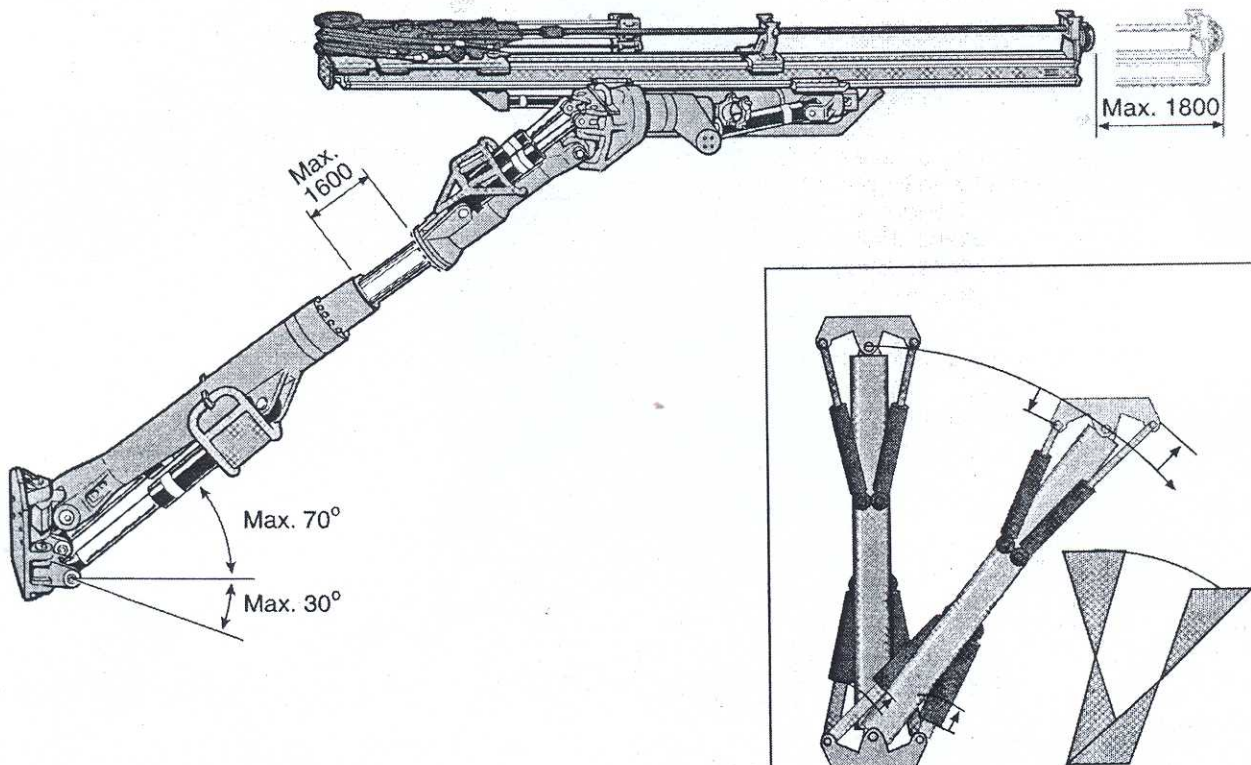
Power pack DCS 12-3-45

Pump motors	3 x 45 kW
Hydraulic pumps	axial piston pumps with variable displacement for impact and feed, constant flow gear pumps for rotation
System pressure, impact mechanism	150-250 bar
Hydraulic oil tank, volume	480 litres
Compressor, type	Atlas Copco LE 55
capacity	12.8 l/s (at 6 bar)
Water booster, capacity	300 l/min at 14 bar boost
Minimum water inlet pressure	4 bar

Carrier

Type	Atlas Copco DC 141
Engine	Deutz BF4M 1013C, water cooled turbocharged 112 kW (152 hp) at 2300 rpm
Max. travel speed	14 km/h
Transmission	Hydrodynamic Clark 24000
Gradeability	1:4 at max. load on drive wheels
Braking system	All hydraulic, with parking and emergency brake
Tyres	12.00 R 24 XKA *** Michelin
Steering system	Power steering

Atlas Copco hydraulic boom BUT 35.



Double tripod suspension gives accurate parallel holding in all directions.

Electrical system

Total power requirement	150 kW
Voltage (on customers request)	380-1000 V
Frequency	50-60 Hz
Starting method	star/delta

Voltage (V)	Recommended size of cable	Cable reel capacity* (m)
380-440 V	4 x 95 mm ²	90
500-660 V	4 x 70 mm ²	125
1000 V	4 x 35 mm ²	160

* = Depending on type of cable.

Dimensions and weights

Height (min. transport height)	3280 mm
Height (in drilling position)	3980 mm
Width	2500 mm
Length (with 16 ft feeds)	13670 mm
Turning radii	outer 10400 mm inner 5650 mm
Gross weight**	39000 kg
Axle load**	boom side 30000 kg engine side 9000 kg

** = Depending on equipment.

Optional equipment

- 55 kW power pack.
- 700 mm fixed segment for extended boom reach.
- Electric cable type RDOT.
- Water hose reel including a 60 meter 2" water hose.
- Exhaust scrubber and/or catalyzer.
- Telescopic feed BMHT 6300-series (only for BUT35 standard booms not for booms with fixed segment extension).
- Rod Adding System, RAS, for extension drilling of extra long holes, using Speedrod extension rods. Max 18 ft RAS on standard BUT 35 booms. Max 16 ft RAS on booms with fixed segment extension.
- BSH 110 drill steel support for extension drilling.
- TAS, feed angle display.
- Bever Data guidance system.
- Automatic boom lubrication system.
- Service platform:

Description	Lifting capacity
HL 230-SB, small basket (1 man)	400 kg
HL 230-SBE, small basket extended	300 kg
HL 230-LB, large basket (2 men)	300 kg
- Hydraulic Swellex pump.
- Air blowing kit with Atlas Copco LE 11 compressor.
- ANSUL, Fire extinguisher.
- Foam filled tyres.

Rod Adding System, RAS

RAS is a mechanized rod adding system used for drilling of "longer than feed" holes, for example for grouting, investigation or longer drill rounds. It consists of a control unit and two mechanical grippers mounted on the feed beam.

The drilling cycle starts with one SPEEDROD in the feed and another in the grippers. When the first rod is

drilled into the rock, the drill steel support grips the rod at the coupling end and the rod is uncoupled. The rockdrill reverses after which the second rod is placed on the feed by the grippers. Thereafter the second rod is coupled into the rod already in the hole and the drilling of the hole is continued. Additional extension rods can be loaded manually on the grippers.

Atlas Copco Rock Tools

Drifter rods

Dimension	Min. hole dia, mm
R38-Hex 35-R32	45
R38-Hex 32-R32	45
R38-Hex 32-R28	38
T38-Hex 35-R32	45

Shank adapters

Thread	Dia, mm	Length, mm	Part No.
R38	38	485	7804 3590 03
T38	38	485	7304 3590 03
T38	38	575	7304 3593 01*
R32	38	575	7803 3593 01*

Extension rods for injection drilling/RAS

Dimension	Min. hole dia, mm
T38 SPEEDROD	64
T38-Rd38-T38	64
R32 SPEEDROD	51

Couplings

Thread	Dia, mm	Length, mm	Part No.
R38	55	170	7994 3655 00
T38	55	190	7314 3355 00

* = Intended for rod adding system, RAS, and extension drilling.

For other dimensions and more information please see Atlas Copco Rock Tools catalogue, printed matter No. 9851 1622 or Selection Guide for Tunnelling and Drifting, printed matter No. 9851 1637.