



2008.05.23 14:58



2006.05.23 15:04



F N R

STOP

2008.05.23 15:01



WARNING
Do not touch the
hot surfaces
of the engine
or the exhaust
system.
They are very
hot and can
cause serious
burns.

2008.05.23 15:01



2006.05.23 14:59



2006.05.23 14:58

Himec 9905 BT

Operator manual

1. VEHICLE DATA

1.1. TECHNICAL INFORMATION 1600 848

HIMEC 9810 B HEX

is a self propelled twin boom unit for lifting, installation works and charging of explosives in tunnels.

DIMENSIONS

Length	9400 mm
Width	2000 / 3800 mm
Height	2900 mm
Wheel base	3250 mm
Ground clearance	320 mm
Outer turning radius	7100 mm
Inner turning radius	3400 mm
Weight, operating	15500 kg

2 x BASKET BOOM NBB 175

NBB 175 is suitable for charging, bolting and installing works. Boom controls are in the basket and down on the carrier. Each boom can be operated independently allowing several holes to be charged safely at the same time. Large coverage allows the hole face to be charged from one setup. Baskets can be equipped with safety canopy.

Boom lift	- 30° ... + 60°
Boom slew	- 8° / + 30°
Working height	11.7 m
Working width	16 m
Lifting capacity	500 kg

SUPPORT LEGS

One pair in front and one pair at rear, are hydraulically operated, front pair with lateral extensions.

LIGHTS FOR GOOD VISIBILITY

- 2 x 60 W on the basket
- 2 x 60 W on the carrier

SAFETY ROOF OVER THE DRIVERS SEAT

is installed to fulfil the European safety regulations.

normet



Orion Corporation
 normet
 Alivoditis 8
 P.O. Box 14210 FELTOSA, Greece
 Phone: +354 11 33 241
 Fax: +354 11 33 242

CARRIER NC 95

is specially designed for underground work. Diesel engine with hydro-dynamic transmission and 4-wheel drive gives max. tractive effort 80 kN and max. speed 22 km/h. Multidisc 2-circuit brakes and parking and emergency brake make operating reliable and safe in the hardest underground conditions.

Diesel engine	62 kW
Max. tractive effort	80 kN
Performance	max. 22 km/h

OPTIONS:

- * Rear flap
- * Electric or hydraulic driven compressor
- * PPE 150 G – electric driven hydraulic power pack
- * HGEN60 – hydraulically operated generating set
- * Manually or hydraulically driven cable reel with cable
- * Screen kit – kit for net installation
- * HRODF – hydraulically adjusted driver's roof
- * CEP – catalytic exhaust purifier
- * HHPW – hydraulic driven high pressure washing kit

normet

Drive Corporation
normet
Arundale 6
F81 - 7410 FELTÖSKAAR, Finland
Phone 00 + (358 17) 68 241
Fax 00 + (358 17) 023 904

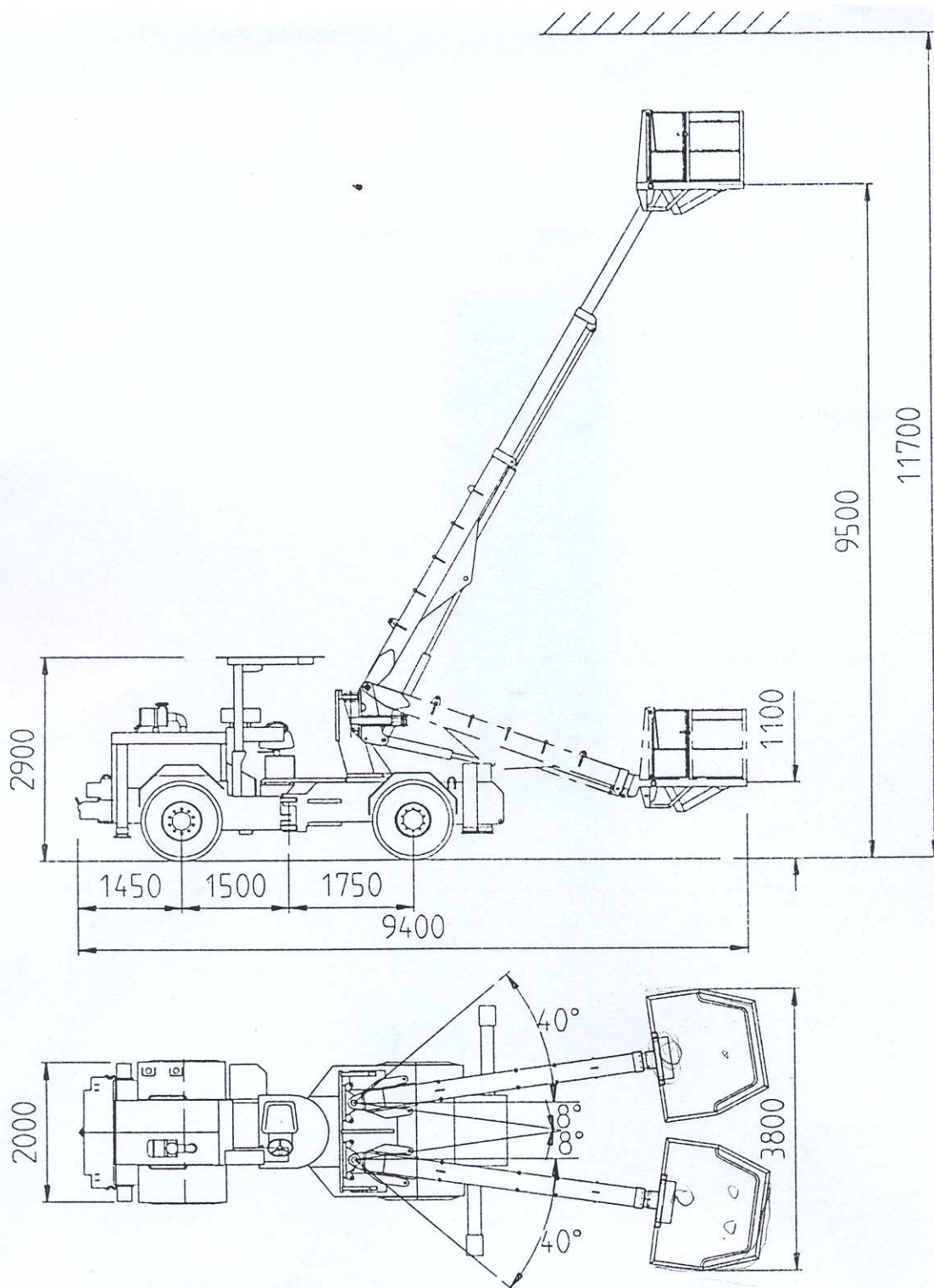


Fig. 2. Dimensioned drawing

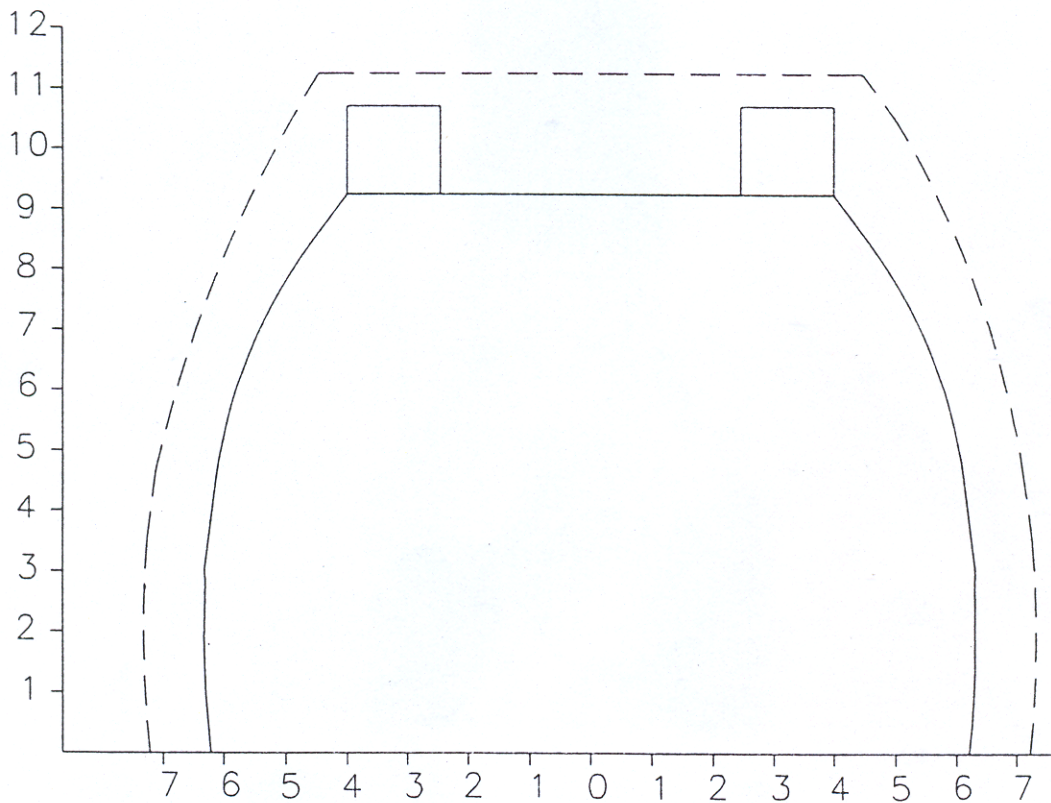
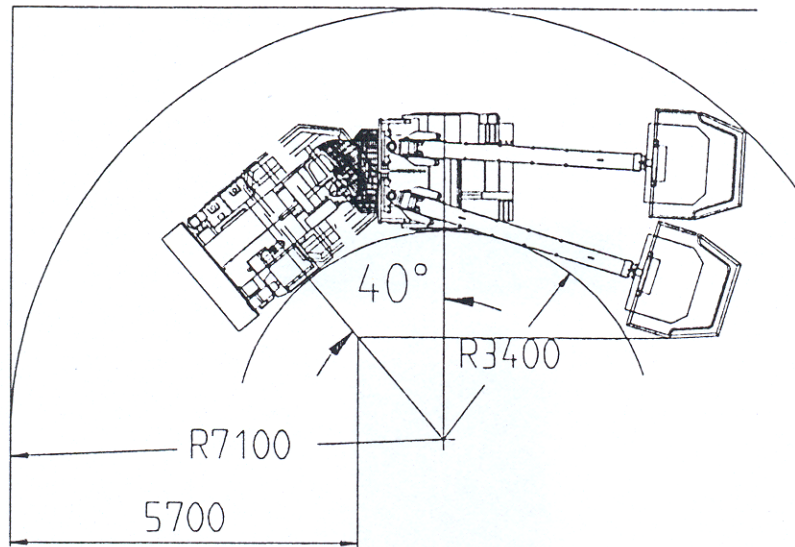


Fig. 3. Dimensioned drawing